

TOTAL KNEE[®]

It's easier than ABC

Whether K2, K3 or K4, Total Knee enables amputees to walk with a smooth, natural, energy-efficient gait. And now Total Knee is even easier to optimize for your patients. Because we've changed our valve labels from A, B and C to **F**(lexion), **H**(eel rise) and **E**(xtension), making them more intuitive and easy to remember.

Valve	Factory Setting	Function
F Flexion	¼ open	Affects swing flexion resistance from 60°-160° (fast walking only)
H Heel Rise	¾ open	Affects swing flexion resistance from 0°-60° (slower walking)
E Extension	1½ open	Affects whole swing extension resistance 60°-0°

Take one for a test drive. Call your Össur representative today for a trial unit!



TOTAL KNEE® 1900

Designed for K2 and K3 ambulators that need the added stability of a geometric locking knee.



- Unique swing phase control through use of friction within an elastic polymer medium
- Weight limit of 220 lbs (100 kg)

Part Number	Description
1900	Total Knee 1900
2070S	Optional Extension Assist

TOTAL KNEE 2000

The go-to polycentric knee for superior shock absorption, increased comfort and more natural gait for multi-speed ambulators.



- Swing control adjustments through 3-phase (3-valve) hydraulic system accommodate changes in walking speed
- Weight limit of 220 lbs (100 kg)

Part Number	Description
2000	Total Knee 2000
2070S	Optional Extension Assist

TOTAL KNEE 2100

A 25% increase in fluid capacity over the TK2000 and cooling fins make the TK2100 suitable for more active amputees, higher impact levels and heavier loads.

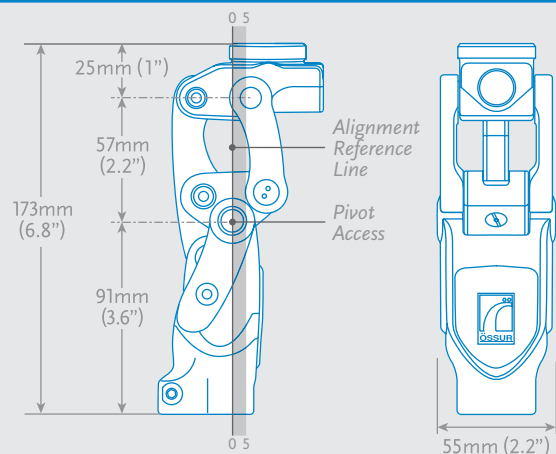


- Same swing control adjustability as the TK2000 (see above)
- Cylinder floats on spherical bearing for maximum durability
- 30mm pylon adapter
- Weight limit of 275 lbs (125 kg)

Part Number	Description
2100	Total Knee 2100
2070S	Optional Extension Assist

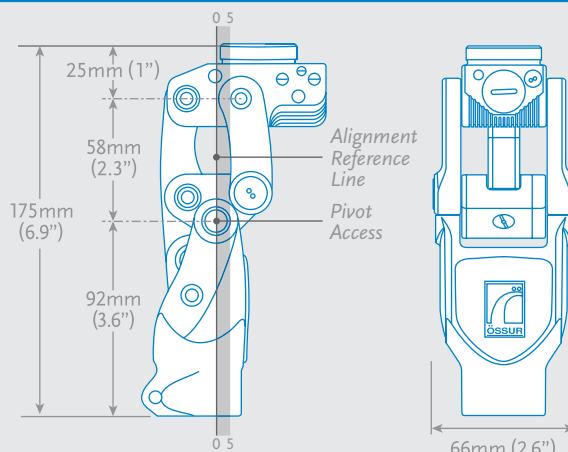
*The responsibility for accurate coding lies solely with the provider treating the patient. Össur assumes no responsibility or liability for the provider's coding decisions. Össur's coding suggestions rest on its best judgment and are subject to revision.

TOTAL KNEE 1900/2000 TECHNICAL SPECIFICATIONS



Alignment: 0-5mm anterior to the pivot axis of the knee

TOTAL KNEE 2100 TECHNICAL SPECIFICATIONS



Alignment: 0-5mm anterior to the pivot axis of the knee

RECOMMENDED BUMPER USAGE

TOTAL KNEE 1900 and 2000

Patient Weight	Color	Type
80-110 lbs. (35-50 kg)	Green	Soft
110-155 lbs. (50-70 kg)	Black	Regular
155-200 lbs. (70-90 kg)	Red	Firm
200-220 lbs. (90-100 kg)	Yellow	Extra Firm

TOTAL KNEE 2100

Patient Weight	Color	Type
110-155 lbs. (50-70 kg)	Black	Soft
155-200 lbs. (70-90 kg)	Red	Regular
200-245 lbs. (90-110 kg)	Yellow	Firm
245-275 lbs. (110-125 kg)	Orange	Extra Firm

FOLLOW ÖSSUR ON



TEL (800) 233-6263
CANADA (800) 663-5982
WWW.OSSUR.COM

