

MAUCH® KNEE PLUS



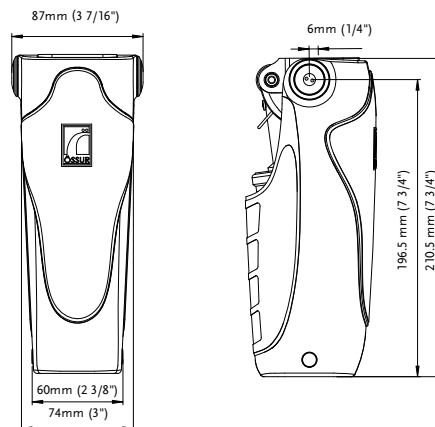
The Mauch Knee Plus is a heavy duty version of the Mauch Knee. Built on the same advanced technology, it was developed in order to accommodate the needs of users requiring a higher weight limit. A slightly different and more robust frame means that the Mauch Knee Plus offers all of the benefits of the standard Mauch Knee to patients up to 166kg (365lbs).

- Single axis hydraulic knee system with swing and stance control (SNS®).
- Designed for multi-speed ambulation.
- Ultra durable Aluminum frame.
- Durability and more secure motion.
- Weight limit of 365lbs / 166kg.
- Roller bearings at knee axis and cylinder attachment points for smooth action.
- Yielding stance control.
- Mode selector switch allows manual locking and free swing functions.
- Universal 4-hole mounting patterns for versatile adapter options.
- Option for through hole or threaded hole top bracket.
- Low Swing Resistance kits and High Stance Resistance kits are also available.



PATIENT PROFILE:		PRODUCT INFORMATION:	
Amputation Level:	Transfemoral	Build Height:	210.5mm (8 5/16")
Impact Level:	Moderate to Extreme	Weight of Knee (with Cylinder):	1.21kg (42.68oz)
Maximum Patient Weight:	166kg (365lbs)	Flexion:	Stop at 125°

CLEARANCE



MAUCH® KNEE PLUS

KITS

PART#	DESCRIPTION
MKN71660	Mauch Knee Kit SNS
MKN71661*	Mauch Knee Kit SNS - Low Swing Resistance
MKN71662*	Mauch Knee Kit Swing Only
MKN71663*	Mauch Knee Plus Kit SNS - Through Hole
MKN71664*	Mauch Knee Plus Kit SNS - Low Swing Resistance - Through Hole
MKN71665*	Mauch Knee Plus Kit Swing Only - Through Hole
MKN71666*	Mauch Knee Plus Kit SNS - High Stance
MKN71667*	Mauch Knee Plus Kit SNS - Through Hole - High Stance

*Special Order

SOCKET ADAPTER OPTIONS

Recommended to allow full knee flexion with direct socket attachment.

PART#	DESCRIPTION	BUILD HEIGHT		WEIGHT	
A-125100	4-Hole Socket Adapter / Titanium	18.5mm	3/4"	12g	4oz



SPARE PARTS

PART#	DESCRIPTION
MKA01661	Knee Ball, Screw, Btn Head
MKA01662	Cover, Front
MKA01663	Cover, Rear, Sub Assembly
MKA01664	Plug, Side
MKA01365*	Extension Stop, Soft
MKA01366*	Extension Stop, Hard

*Special Order