

# TOTAL KNEE® 2000



The industry standard in polycentric knees, the Total Knee, has been redesigned and given a whole new look. Now the knee is stronger and more durable.

This is the go-to knee for superior shock absorption, increased comfort and a more natural gait. Mid-swing shortening offers increased toe clearance during swing to prevent hip-hiking and the 3-phase hydraulic swing control accommodates changes in walking speed. Plus, the adjustable stance flexion feature mimics the knee flexion that occurs during early stance, reducing shock and stress on the residual limb.

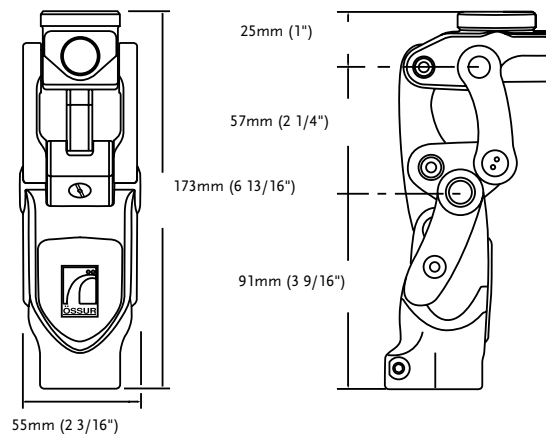
- Designed for multi-speed ambulators.
- Polycentric knee with geometric locking system.
- Swing control adjustments through 3-phase (3-valve) hydraulic system.
- Adjustable stance flexion.
- Adjustable extension promoter.
- Low build height, useful for long transfemoral limbs or knee disarticulation.



PATIENT PROFILE:	
Amputation Level:	Transfemoral and Knee Disarticulation
Impact Level:	Moderate to High
Maximum Patient Weight:	100kg (220lbs)

PRODUCT INFORMATION:	
Build Height:	173mm (6 13/16")
Weight of Knee:	690g (24.3oz)
Flexion:	Stop at 160°

## CLEARANCE



# TOTAL KNEE® 2000

## KITS

PART#	DESCRIPTION
2000	Total Knee 2000**
2000-KE	Hydraulic Knee W/ Long Adapter
2000-OS	Hydraulic Knee W/ Pyramid Adapter

\*The knee comes with the red bumper fitted.

\*\*Total Knee 1900/2000 user video (TV0005) is included in the box. The video contains basic information for the user.

## COSMETIC FINISHING

PICTURE	PART#	DESCRIPTION
1	2047	Shin Fairing, Black
2	2052	Knee Cap, Small, Black
3	2053	Knee Cap, Large, Beige



## COMPONENTS

### BUMPER SELECTION CHART

PART#	DESCRIPTION	COLOR	DUROMETER	PATIENT WEIGHT
2000-204G	Bumper	Green	Soft	35kg (77lbs) to 50kg (110lbs)
2000-204B	Bumper	Black	Regular	50kg (110lbs) to 70kg (154lbs)
2000-204R	Bumper	Red	Firm	70kg (154lbs) to 90kg (198lbs)
2000-204Y	Bumper	Yellow	Extra firm	90kg (198lbs) to 100kg (220lbs)

### BUMPER KIT

PART#	DESCRIPTION
2000-KIT	A complete set of bumpers and shims

Includes:

1 Bumper of each durometer:

- 1 Shim 0.38mm
- 1 Shim 0.76mm

### BUMPER COVER

PART#	DESCRIPTION
2059	Bumper cover for Total Knee 1900 and 2000

# TOTAL KNEE® 2000

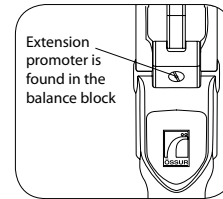
## COMPONENTS

### SHIMS

PART#	DESCRIPTION
2000-205A	0.38mm Plastic Shim
2000-205B	0.76mm Plastic Shim

### EXTENSION PROMOTER

PART#	DESCRIPTION
1905	Assists in limiting heel rise and moving the knee into a fully extended position



### EXTENSION ASSIST

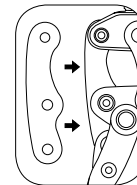
PART#	DESCRIPTION
2070S	Fully assembled extension assist with yellow (regular) spring inserted

Includes:

- Blue spring (firm)
- Red spring (extra firm)

### BACK LINK (POSTERIOR LINKAGE)

PART#	DESCRIPTION
2000SSB	A high load back-link is available for use with the Total Knee 2000



Note: There is an additional charge for these special back links.

### TOTAL KNEE ADAPTERS

PICTURE	PART#	DESCRIPTION	MATERIAL	WEIGHT LIMIT		WEIGHT	
1.	A-114040	4- Prong Socket Adapter	Stainless Steel	166kg	365lbs	112g	4oz
2.	A-122300	Euro 4-Hole Adapter	Aluminum	125kg	275lbs	70g	2.5oz
3.	A-834300	Male Pyramid Adapter	Stainless Steel	100kg	220lbs	111g	3.9oz
3.	A-835300	Male Pyramid Adapter	Titanium	166kg	365lbs	80g	2.8oz
4.	A-845300	Female Pyramid Adapter	Titanium	166kg	365lbs	85g	3oz

