

BALANCE™ KNEE



The Balance Knee is designed to offer the less active user a high level of security and stability. Its four-bar geometric design is easily adjusted to optimize the required balance between stability and walking dynamics for each individual. It also facilitates an easy kneeling action. Mid-swing shortening allows the prosthesis to swing more easily through each step and helps prevent hip hiking.

Simple to set up, the knee's adjustment features (including the adjustable extension assist) can all be accessed externally with no disassembly of the prosthesis required. The design is maintenance free. Balance knee is available with stronger extension assist and a manual lock.

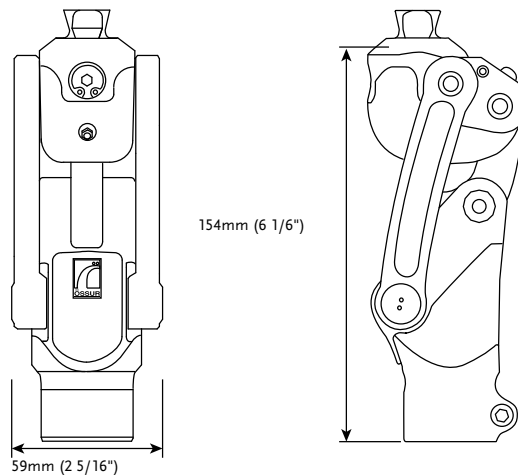
User profile:

- Household and limited community ambulators
- Single, slow speed ambulators
- Low impact users and those with little voluntary control
- Rated up to 125kg (275lbs)



PATIENT PROFILE:		PRODUCT INFORMATION:	
Amputation Level:	Transfemoral and Knee Disarticulation	Build Height:	154mm (6 1/6")
Impact Level:	Low	Weight of Knee:	590g (20.8oz)
Maximum Patient Weight:	125kg (275lbs)	Flexion:	Stop at 180° (165° with Locking feature)

CLEARANCE



BALANCE™ KNEE

KITS

PART#	DESCRIPTION
BKN12500	Balance Knee
BKN12501	Balance Knee Extension Assist Plus
BKN12511	Balance Knee Locking*

Includes:

- Balance Knee
- Shin Ferrule
- Lanyard Kit*

PART#	DESCRIPTION
LKN12590	Lanyard Release Kit



COSMETIC FINISHING

PART#	DESCRIPTION
BKN12550	Shin Ferrule for Balance Knee

