

ENGLISH

CONTENT

Housing Pyramid (1)
Screw M6X30 (2)
O-Ring (3)

ASSEMBLY

1. Insert Icelock XM(4) into Housing Pyramid(1).
2. Place O-ring(3) on top of Icelock XM(4), attach Housing Pyramid(1) to Adapter 4H(5), using the Screws M6X30(2) provided.

	Torque	Loctite
Screw M6X30	10 Nm	243

For secure fastening use the loctite recommended and apply rated torque twice.

Limited one-year warranty.

Rated up to 125kg (275lbs), normal use.

L-662000 Icelock 600 XM Housing Pyr can only be used in combination with L-621200 Icelock 600 XM and L-676000 Icelock Adapter 4H.

Other available suspension options for Icelock 600 XM:

L-631000 Icelock Lanyard 631

L-651000 Icelock Smooth 651

Weatherproof

A weatherproof device allows use in a wet and/or humid environment, but does not allow submersion. Fresh water splashing against the enclosure from any direction shall have no harmful effect. Dry thoroughly after contact with fresh water. Fresh water: Includes tap water. Excludes salt and chlorinated water.

For a weatherproof system, weatherproof components must be selected for use with the device.

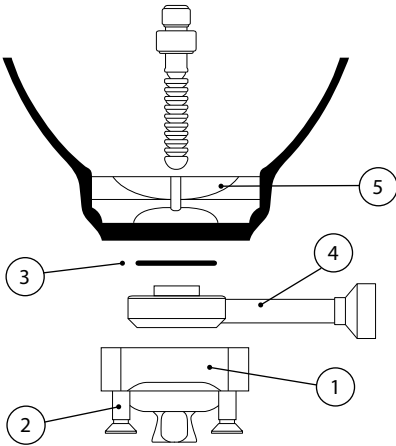
ISO 10328 - P6 - 125 kg *)



*) Body mass limit not to be exceeded!



For specific conditions and limitations of use see manufacturer's written instructions on intended use!



Össur Americas
27051 Towne Centre Drive
Foothill Ranch, CA 92610, USA
Tel: +1 (949) 382 3883
Tel: +1 800 233 6263
ossurusa@ossur.com

Össur UK Ltd
Unit No 1, S.Park
Hamilton Road
Stockport SK1 2AE, UK
Tel: +44 (0) 8450 065 065
ossuruk@ossur.com

Össur Europe BV
De Schakel 70
5651 GH Eindhoven
The Netherlands
Tel: +800 3539 3668
Tel: +31 499 462840
info-europe@ossur.com

Össur Deutschland GmbH
Augustinusstrasse 11A
50226 Frechen
Deutschland
Tel: +49 (0) 2234 6039 102
info-deutschland@ossur.com

Össur Canada
2150 – 6900 Graybar Road
Richmond, BC
V6W 0A5 , Canada
Tel: +1 604 241 8152

Össur Nordic
Box 770
191 27 Sollentuna, Sweden
Tel: +46 1818 2200
info@ossur.com

Össur Iberia S.LU
Calle Caléndula, 93 -
Miniparc III
Edificio E, Despacho M18
28109 El Soto de la Moraleja,
Alcobendas
Madrid – España
Tel: 00 800 3539 3668
orders.spain@ossur.com
orders.portugal@ossur.com

Össur Europe BV – Italy
Via Baroaldi, 29
40054 Budrio, Italy
Tel: +39 05169 20852
orders.italy@ossur.com

Össur APAC
2F, W16 B
No. 1801 Hongmei Road
200233, Shanghai, China
Tel: +86 21 6127 1707
asia@ossur.com

Össur Australia
26 Ross Street,
North Parramatta
NSW 2151 Australia
Tel: +61 2 88382800
infosydney@ossur.com

Össur South Africa
Unit 4 & 5
3 on London
Brackengate Business Park
Brackenfell
7560 Cape Town
South Africa
Tel: +27 0860 888 123
infosa@ossur.com



Össur hf.
Grjótháls 1-5
110 Reykjavík
Iceland



www.ossur.com

© Copyright Össur 2018

IFU 1373_001

Rev. 2

ÖSSUR
LIFE WITHOUT LIMITATIONS



Instructions for Use

ICELOCK 600 XM

Housing Pyr L-662000

EN – Caution: Össur products and components are designed and tested according to the applicable official standards or an in-house defined standard when no official standard applies. Compatibility and compliance with these standard is achieved only when Össur products are used with other recommended Össur components. If un-usual movement or product wear is detected in a structural part of a device at any time, the patient should be instructed to immediately discontinue use of the device and consult his/her clinical specialist. This product has been designed and tested based on single patient usage. This device should NOT be used by multiple patients. If any problems occur with the use of this product, immediately contact your medical professional.