

## i-LIMB<sup>®</sup> QUANTUM

Precision, power and  
intelligent motion

The only upper limb prosthesis that allows users to change grips with a simple gesture.

- Gesture Control powered by i-Mo™ Technology uses simple gestures to change grips
- 24 automated grips to select from, plus an additional 12 My Grips which can be fully customized by the user
- Methods of control:



i-Mo™ Intelligent Motion  
GESTURE CONTROL



Quick Grips™  
APP CONTROL



Triggers  
MUSCLE CONTROL



Grip Chips™  
PROXIMITY CONTROL

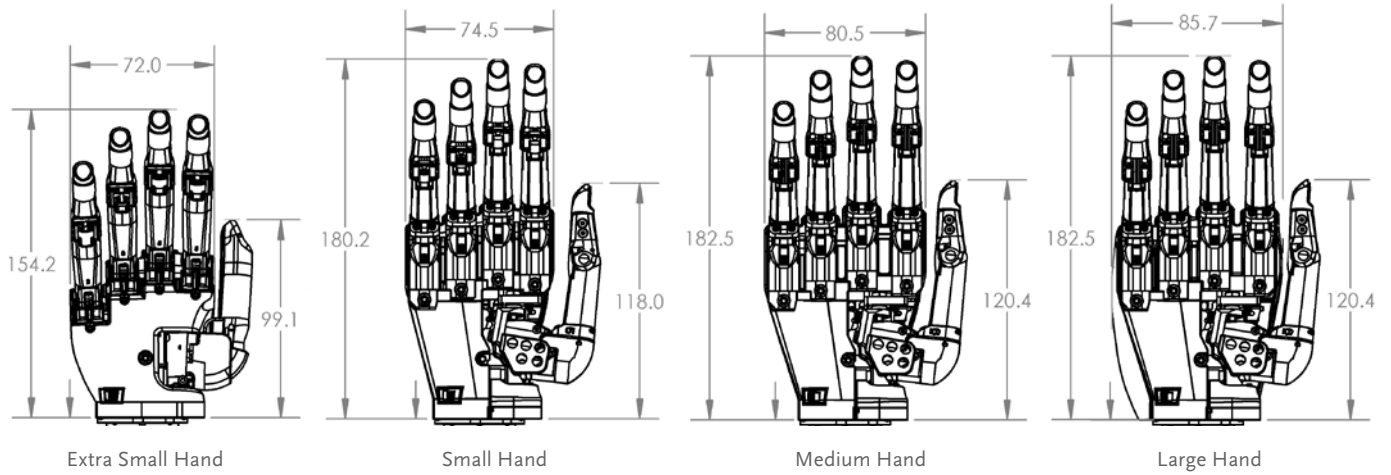
- Speed boost:
  - Adjustable open/close speed for digits
- Available in 4 sizes:
  - Extra Small, Small, Medium, Large
- Multiple covering options available, offering variety of cosmetic appearances

### Titanium digits

Check out our titanium strengthened digits, which increase the maximum carry load by 50%.

Available in S/M/L.





| Technical Information                                               |                                                                                     |              |              |              |
|---------------------------------------------------------------------|-------------------------------------------------------------------------------------|--------------|--------------|--------------|
| Voltage                                                             | 7.4 V (nominal)                                                                     |              |              |              |
| Max. Current                                                        | 5 A                                                                                 |              |              |              |
| Battery Capacity                                                    | Rechargeable lithium polymer; 7.4 V (nominal); 2000 mAh capacity; 1300 mAh capacity |              |              |              |
| Max. hand load limit (static limit)                                 | 40kg/88lb (Extra Small) – 90kg/198lb (Small/Medium/Large)                           |              |              |              |
| Finger carry load (static limit)                                    | 20kg/44lbs (Extra Small) – 32kg/71lbs (Small/Medium/Large)                          |              |              |              |
| Time from open position to full power grip                          | 0.8 seconds                                                                         |              |              |              |
| Device Weight                                                       |                                                                                     | Extra Small  | Small        | Medium/Large |
|                                                                     | QWD                                                                                 | 472g/1.04lb  | 512g/1.13lbs | 528g/1.16lbs |
|                                                                     | WD                                                                                  | 432g/0.95lbs | 472g/1.04lbs | 488g/1.08lbs |
|                                                                     | Flexion Wrist                                                                       | 572g/1.26lbs | 612g/1.35lbs | 628g/1.38lbs |
|                                                                     | Friction Wrist                                                                      | 467g/1.03lbs | 507g/1.12lbs | 523g/1.15lbs |
| <i>Note: Titanium digits add an additional 30g/0.07lbs per hand</i> |                                                                                     |              |              |              |

### i-LIMB QUANTUM NON-TITANIUM PACKAGES

| Part #   | Description                  |
|----------|------------------------------|
| TBX50428 | PK i-limb NA Quantum QWD     |
| TBX50429 | PK i-limb NA Quantum WD      |
| TBX50432 | PK i-limb NA Quantum Flexion |
| TBX50433 | PK i-limb NA Quantum Frict   |

### i-LIMB QUANTUM TITANIUM PACKAGES

| Part #   | Description                     |
|----------|---------------------------------|
| TBX50430 | PK i-limb NA Ti Quantum QWD     |
| TBX50431 | PK i-limb NA Ti Quantum WD      |
| TBX50434 | PK i-limb NA Ti Quantum Flexion |
| TBX50435 | PK i-limb NA Ti Quantum Frict   |

### PACKAGE CONTENTS

|                       |              |                                                                                                                                                                                                                             |
|-----------------------|--------------|-----------------------------------------------------------------------------------------------------------------------------------------------------------------------------------------------------------------------------|
| Battery and charger   | yes          | <i>On odd package numbers QWD, WD or Friction wrist hands can be selected.<br/>           Even package numbers contain Flexion wrist hands<br/>           * Choose from i-Limb Skin Active/TS or i-Limb Skin Contour/TS</i> |
| Car charger           | yes          |                                                                                                                                                                                                                             |
| Socket component kit  | yes          |                                                                                                                                                                                                                             |
| iPod Touch            | yes          |                                                                                                                                                                                                                             |
| i-Limb Skin coverings | 6 coverings* |                                                                                                                                                                                                                             |

FOLLOW ÖSSUR ON



USA (800) 233-6263  
WWW.OSSUR.COM

CANADA (800) 663-5982  
WWW.OSSUR.CA

