

TITANIUM i-LIMB®

With the addition of the titanium strengthened digits, the i-Limb® Quantum wearer can feel confident in completing their everyday activities. The titanium strengthened digits allow for additional protection of the motors within each digit when:

- Pushing up from a seated position, especially in bilateral and quadrilateral cases
- The hand is bumped against a hard object
- The user is carrying something heavy in their hand

“

“I wear my i-Limb Quantum hand 10-12 hours per day. The durability of the titanium digits gives me the extra confidence I need to tackle the most difficult tasks.”

Mike Benning

Titanium i-Limb® Quantum wearer



The only upper limb prosthesis that allows users to change grips with a simple gesture:

- Gesture Control powered by i-Mo™ Technology uses simple gestures to change grips
- 24 automated grips to select from, plus an additional 12 My Grips which can be fully customized by the user
- Methods of control:
 - Speed boost:
 - Adjustable open/close speed for digits
 - Available in 3 sizes:
 - Small, Medium, Large
 - Multiple covering options available, offering variety of cosmetic appearances



i-Mo™ Intelligent Motion
GESTURE CONTROL



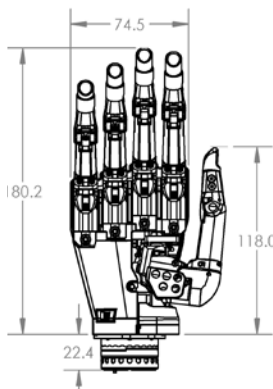
Quick Grips™
APP CONTROL



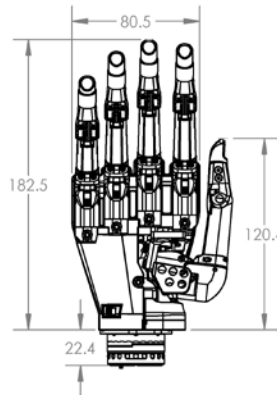
Triggers
MUSCLE CONTROL



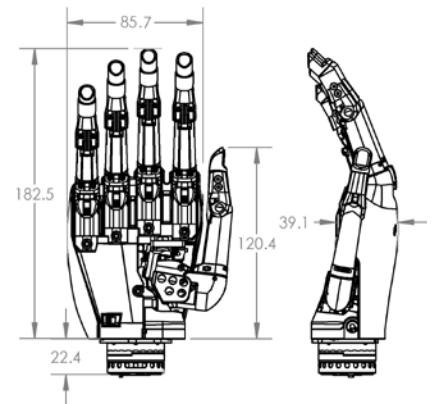
Grip Chips™
PROXIMITY CONTROL



Small Hand



Medium Hand



Large Hand

TECHNICAL INFORMATION

Voltage	7.4 V (nominal)		
Max. Current	5 A		
Battery Capacity	Rechargeable lithium polymer; 7.4 V (nominal); 2000 mAh capacity; 1300 mAh capacity		
Time from open position to full power grip	0.8 seconds		
Device Weight		Small	Medium/ Large
	QWD	512g/1.13lbs	528g/1.16lbs
	WD	472g/1.04lbs	488g/1.08lbs
	Flexion Wrist	612g/1.35lbs	628g/1.38lbs
	Friction Wrist	507g/1.12lbs	523g/1.15lbs

Note: Titanium digits add an additional 30g/0.07lbs per hand

TITANIUM i-LIMB PACKAGES

Part #	Description
TBX50430/31	i-Limb® NA Quantum Ti QWD/Ti WD
TBX50434/35	i-Limb® NA Quantum Ti Flexion/Friction

ALSO AVAILABLE FOR i-LIMB ACCESS & ULTRA

Part #	Description
TBX50446/47	i-Limb® NA Ultra Ti QWD/Ti WD
TBX50450/51	i-Limb® NA Ultra Ti Flexion/Friction
TBX50422/23	i-Limb® NA Access Ti QWD/Ti WD
TBX50426/27	i-Limb® NA Access Ti Flexion/Friction

FOLLOW ÖSSUR ON



USA (800) 233-6263
WWW.OSSUR.COM

CANADA (800) 663-5982
WWW.OSSUR.CA

