

i-LIMB[®] ACCESS

An externally powered, multi-articulating prosthetic hand that offers five individually powered digits and manually rotatable thumb.

- Individually motorized digits with compliant grip and stall-out ability
- Manually rotatable thumb which moves between lateral and opposition for creating different grip positions
- Methods of control:



Triggers
MUSCLE CONTROL



Quick Grips[™]
APP CONTROL

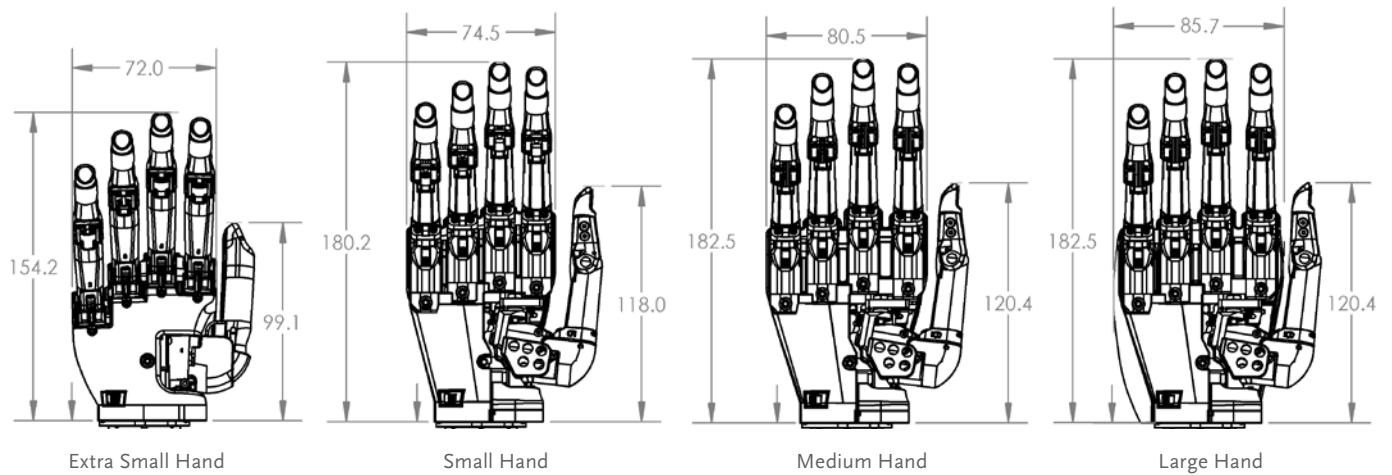
- Speed boost:
 - Adjustable open/close speed for digits
- 12 different grip options available
- Auto-Grasp:
 - Anti drop safety feature for added reassurance
- Available in 4 sizes:
 - Extra Small, Small, Medium, Large
- Multiple covering options offering variety of cosmetic appearance

Titanium digits

Check out our titanium strengthened digits, which increase the maximum carry load by 50%.

Available in S/M/L.





Technical Information				
Voltage	7.4 V (nominal)			
Max. Current	5 A			
Battery Capacity	Rechargeable lithium polymer; 7.4 V (nominal); 2000 mAh capacity; 1300 mAh capacity			
Max. hand load limit (static limit)	40kg/88lb (Extra Small) 90kg/198lb (Small/Medium/Large)			
Finger carry load (static limit)	20kg/44lbs (Extra Small) 32kg/71lbs (Small/Medium/Large)			
Time from open position to full power grip	0.8 seconds			
Device Weight		Extra Small	Small	Medium/Large
	QWD	432g/0.95lb	468g/1.03lbs	478g/1.05lbs
	WD	392g/0.86lbs	428g/0.94lbs	438g/0.97lbs
	Flexion Wrist	532g/1.17lbs	568g/1.25lbs	578g/1.27lbs
	Friction Wrist	427g/0.94lbs	463g/1.02lbs	473g/1.04lbs
<i>Note: Titanium digits add an additional 30g/0.07lbs per hand</i>				

i-LIMB ACCESS NON-TITANIUM PACKAGES

Part #	Description
TBX50420	PK i-limb NA Access QWD
TBX50421	PK i-limb NA Access WD
TBX50424	PK i-limb NA Access Flexion
TBX50425	PK i-limb NA Access Fric

i-LIMB ACCESS TITANIUM PACKAGES

Part #	Description
TBX50422	PK i-limb NA Access Ti Access QWD
TBX50423	PK i-limb NA Access Ti Access WD
TBX50426	PK i-limb NA Access Ti Access Flexion
TBX50427	PK i-limb NA Access Ti Access Fric

PACKAGE CONTENTS

Battery and charger	yes	<i>On odd package numbers QWD, WD or Friction wrist hands can be selected. Even package numbers contain Flexion wrist hands * Choose from i-Limb Skin Active/TS or i-Limb Skin Contour/TS</i>
Car charger	yes	
Socket component kit	yes	
iPod Touch	no	
i-Limb Skin coverings	6 coverings*	

FOLLOW ÖSSUR ON



USA (800) 233-6263
WWW.OSSUR.COM

CANADA (800) 663-5982
WWW.OSSUR.CA

